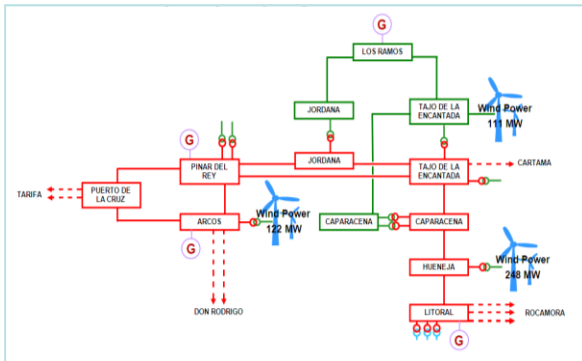


Task force 1: Contributions of variable generation and flexible load to system services

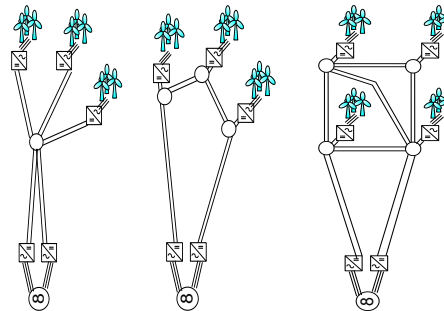
Task force 2: Reliable off-shore grid and wind development (and 'smart' licensing in WP17)

Task force 3: Improvements in the transmission grid flexibility

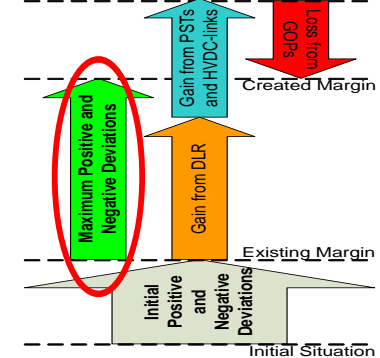
Demo 1 SYSERWIND



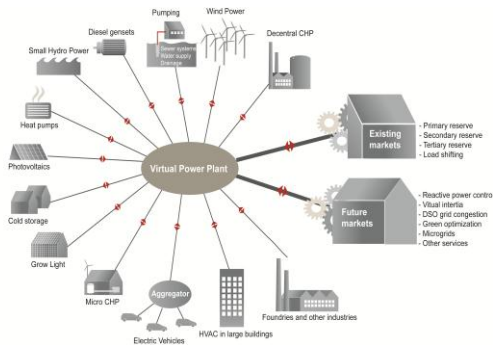
Demo 3 DC-Grid



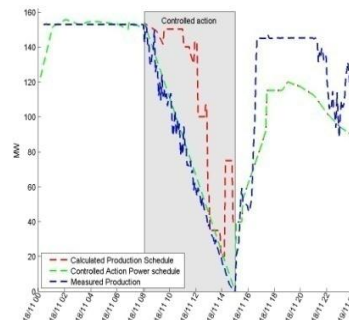
Demo 5 NETFLEX



Demo 2 DERINT



Demo 4 STORM MANAG.



Demo 6 FLEXGRID

